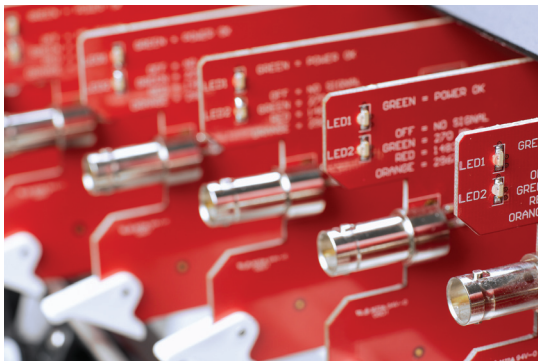




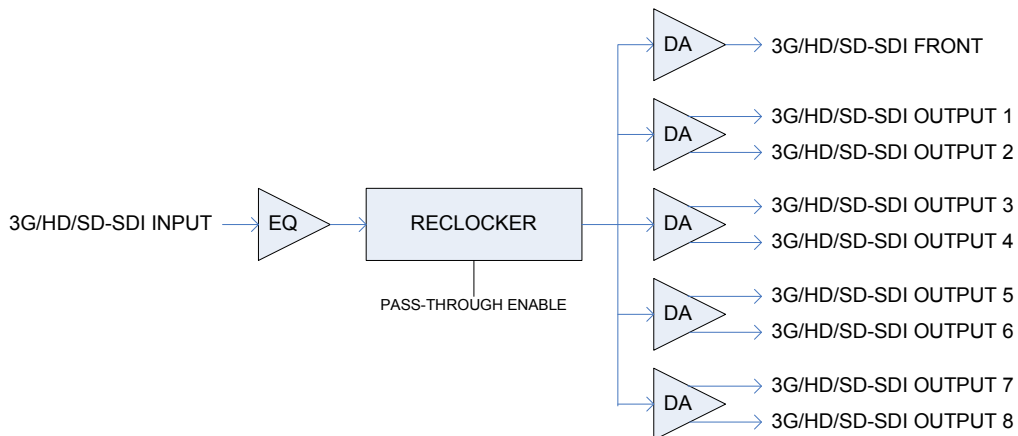
MRD-1000

Reclocking or non-Reclocking 1 to 8 Distribution Amplifier



PRODUCT FEATURES

- Equalise over 200M of Belden 1694A cable at 1.485Gb/s
- Auto detect rate
- On the front of the card is an easily accessible output; for us when access to the back of the rack is difficult.
- Enable or Disable Re-clocker
- External Dipswitch Configuration
- User configurable through Dashboard GUI



SPECIFICATIONS

VIDEO FORMATS	3G:SMPTE 424M@2.97 and 2.967Gb/s HD:SMPTE 292M/274M/296M@1.485 and 1.435Gb/s SD:SMPTE 259M@270Mb/s	INPUTS	<ul style="list-style-type: none"> • 1 x 3G/HD/SD-SDI • Input Equalization > 200M for SDI, > 200M for HD-SDI or > 100M 3G-SDI using Belden 1694A
LED STATUS	<ul style="list-style-type: none"> • Power • Signal Lock and rate 	OUTPUTS	<ul style="list-style-type: none"> • 8 x 3G/HD/SD-SDI • 1 x 3G/HD/SD-SDI on front of card

DISTRIBUTED BY:

www.decimator.com
FUTURE-PROOF SOLUTIONS

Copyright © 2010 DECIMATOR DESIGN PTY LTD MRD-1000 BROCHURE V1.2